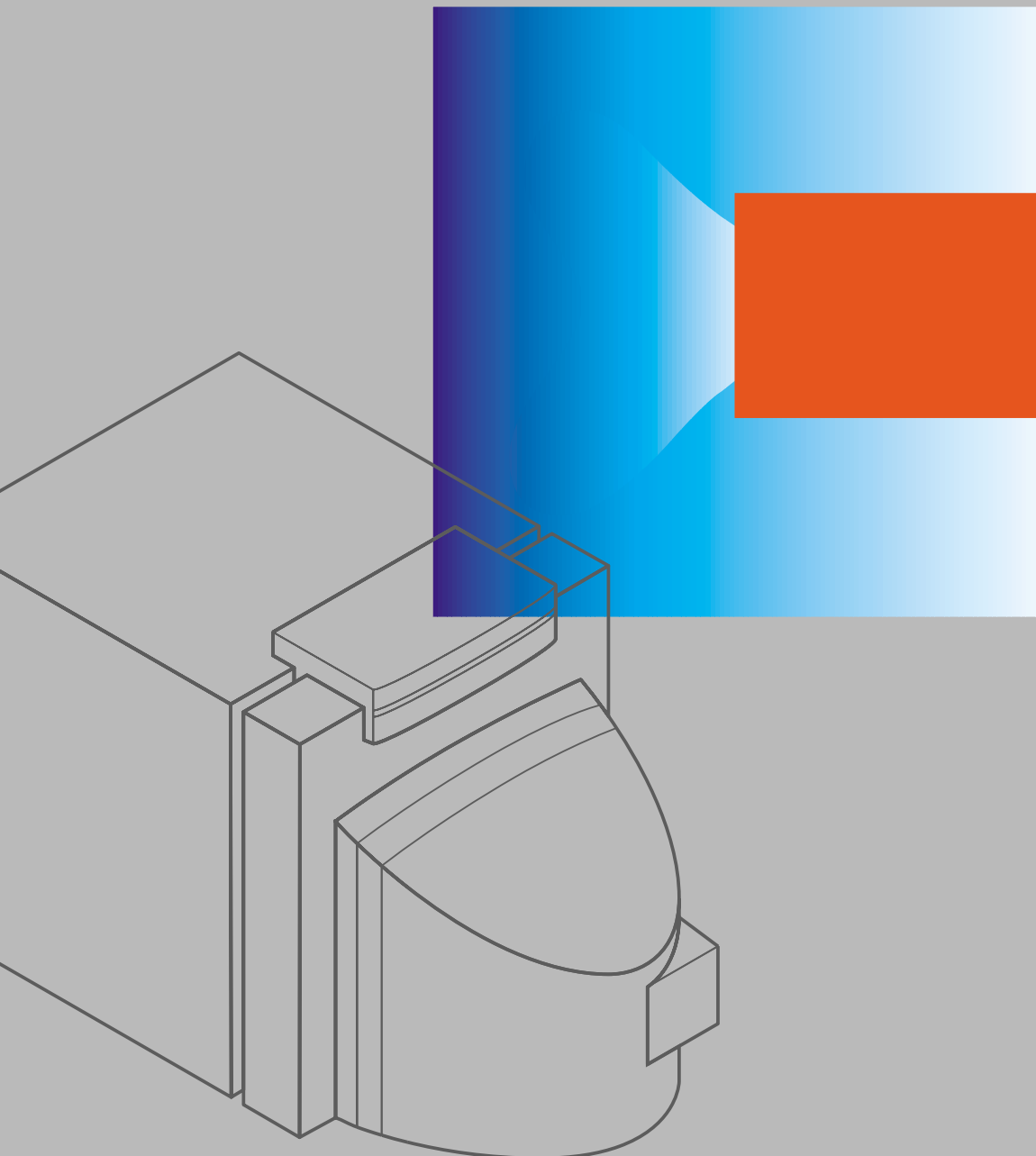


Oil-/Gas-fired hot water heating boiler
for modulating boiler water temperatures
Rated input: 83 to 300 MBH

VIESSMANN

VITOLA 200

*Low temperature hot water heating boiler
with biferral sandwiched heat exchanger
surface*



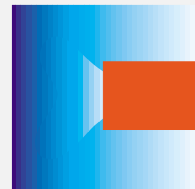
VITOLA 200

Oil-/Gas-fired hot water heating boiler for modulating boiler water temperatures without low limit with biferral sandwiched heat exchanger surface of cast iron and steel
 Rated input: 83 to 300 MBH



Viessmann Manufacturing Company Inc.
 750 McMurray Road
 Waterloo, ON - N2V 2G5 • Canada
 Tel.: (519) 885-6300 Fax: (519) 885-0887
 www.viessmann.ca

Viessmann Manufacturing Company (U.S.) Inc.
 45 Access Road
 Warwick, RI • 02886 • U.S.A.
 Tel.: (401) 732-0667 Fax: (401) 732-0590
 www.viessmann-us.com



High quality and performance. The double-wall, sandwiched heat exchanger surface of the Vitola 200 represents a milestone in the history of modern heating technology. The Vitola 200 combines user comfort and convenience with economy – it even switches off completely when no heat is required.



Biferral sandwiched heat exchanger surface

The benefits at a glance:

- Biferral heat exchanger surface of cast iron and steel for high operational reliability and a long service life.
- Clean combustion and clean burnout of the flame through optimized combustion chamber geometry. Combustion chamber made of stainless steel. Flue gas temperature adjustable for oversized chimneys.
- Meets the specifications of the German "Blue Angel" environmental certificate and Swiss clean air regulations.
- Extremely economical and environmentally friendly due to modulating boiler water temperatures; the boiler switches off completely when no heat is required. AFUE up to 87%.
- Reliable heat transfer due to wide water walls and large water content.
- All Viessmann burners are factory tested at operating temperature and matched to the rated boiler input, facilitating adjustments and faster start-up on site.



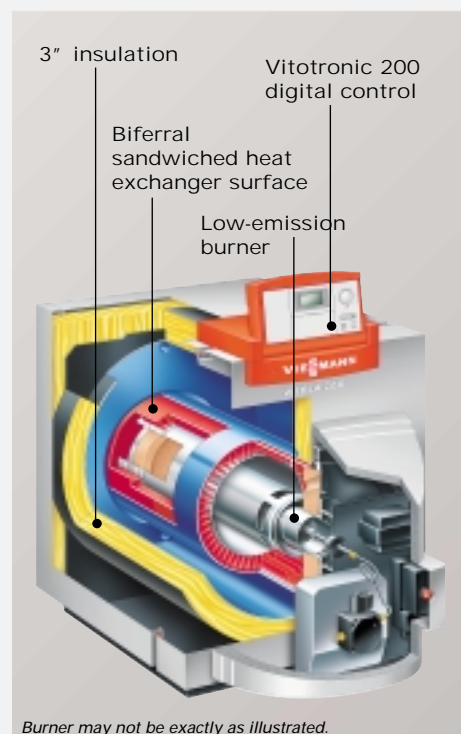
Vitola 200 boiler with Viessmann burner



Oil-Fired



Vitotronic – the new generation of controls: intelligent, easy to install, operate and service



Burner may not be exactly as illustrated.

VITOLA 200		Model	VB2-	18	22	33	40	50	63
Rated input oil		MBH	83	107	135	170	219	238	300
Rated input gas		MBH	90	116	146	185	238	238	300
Total dimensions*	Length	inches	43 ³ / ₄	46 ¹ / ₄	52 ³ / ₄	53 ¹ / ₄	58 ¹ / ₂	58 ¹ / ₂	63
	Width	inches	25 ¹ / ₄	26 ¹ / ₄	27 ¹ / ₂	30 ¹ / ₂	30 ¹ / ₂	30 ¹ / ₂	30 ¹ / ₂
	Height	inches	32 ³ / ₄	33 ¹ / ₂	34	37	38 ¹ / ₂	38 ¹ / ₂	38 ¹ / ₂
Weight (incl. insulation)		lbs	381	434	542	697	866	866	941
Boiler water content		USG	18.5	23.2	31.2	37.0	52.6	52.6	59.0

*Total dimensions with Viessmann Vitoflame 100 Burner installed. Dimensions may vary depending on burner type. Refer to Technical Data Manual of burner for applicable dimensions.

Technical information subject to change without notice.